



Infinova®

V1631 Series Explosion Proof Pan/Tilt



Product Description

Infinova's V1631 series explosion proof pan/tilt is a fully-developed integrated camera system that designed for use in flammable and explosive hazardous areas. Good Electrical and Mechanical performances bring invaluable convenience to spot surveillance.

The system is stainless steel constructions that designed for use in hazardous areas in accordance with strict explosion proof requirements. It has an absolute operating temperature range of -20°C to 60°C.

The product is also well sealed, preventing the intake of explosive dust. Meanwhile, it features strong corrosion-resistant capability.

V1631 Series variable pan and tilt speeds range from 0.1° to 20° per second. The V1631 Series are capable of 360° continuous pan and Tilt rotation, and there is a location perceiving signal embedded in vertical plane, which is able to flip the image automatically when the shell is turned upside down, to make sure the image is always displayed correctly.

It is convenient for installation, with means of mounting methods: bracket, base, and pole optional.

Order Information

- V1631-23A09-3 Explosion Proof Pan/Tilt, 23X, NTSC, 110~230VAC, 316L Stainless Steel
- V1631-23A19-3 Explosion Proof Pan/Tilt, 23X, PAL, 110~230VAC, 316L Stainless Steel
- V1631-35A09-3 Explosion Proof Pan/Tilt, 35X, NTSC, 110~230VAC, 316L Stainless Steel
- V1631-35A19-3 Explosion Proof Pan/Tilt, 35X, PAL, 110~230VAC, 316L Stainless Steel

Installation Mounts

- V1664-W Wall Mount
- V1664-C Corner Mount
- V1664-S Pole Mount

Product Features

- Compatible with PTZ control on 3 RS485 protocols: PELCO-P, PELCO-D, INFINOVA; 255 selectable addresses for PELCO-P, 254 selectable addresses PELCO-D, 128 selectable addresses for INFINOVA
- 128 Presets
- 4 Patterns
- OSD menu
- Built-in 23X, 35X integrated optic vari-focal camera
- Use in flammable and explosive hazardous areas

Specification

Electric

- Input Voltage: 110 VAC -230 VAC
- Voltage Range: ±10%
- Power Consumption: 90W
- Electrical Connection: 3-wire cable used for control of Pan/Tilt
2-wire cable used for power input
2-wire cable used for video output

Mechanical

- Construction: 316L Stainless Steel
- Protection rating: IP66
- Pan Movement: 360° Continuous Pan Rotation
- Tilt Movement: 360° Continuous Tilt Rotation

Variable Speed

- Pan: 0.1° to 20°/sec variable-speed operation,
- Tilt: 0.1° to 20°/sec variable-speed operation,
- Weight: 30Kg
- Shipping Weight: 35Kg
- Mounting measures: wall mount, corner mount,
base mount, pole mount

Environmental

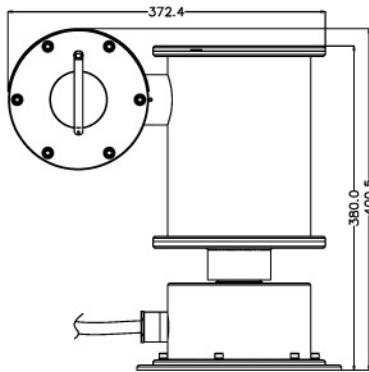
- Atmosphere pressure: 86kpa~106kpa
- Temperature: -20°C to 60°C.
- Humidity: ≤95%RH (+25°C)
- Application Field: For the dangerous sites with explosive air mixture division 1 and division 2, flammable gas, stream classification II A, B, C, and temperature classification T1-T6

Compliance

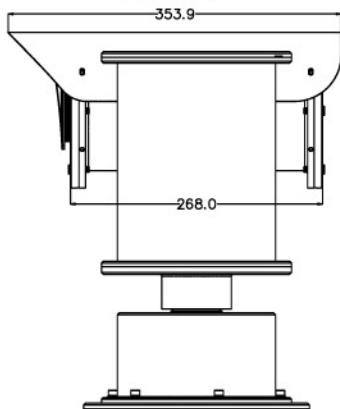
- International Certification: ExdIICT6
- Certificate No: CNEx08.1115X



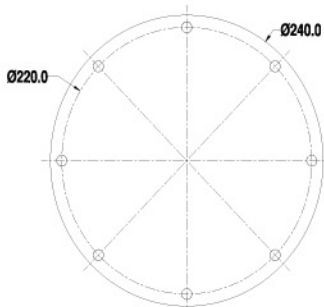
Dimensions (Unit: mm):



Front View

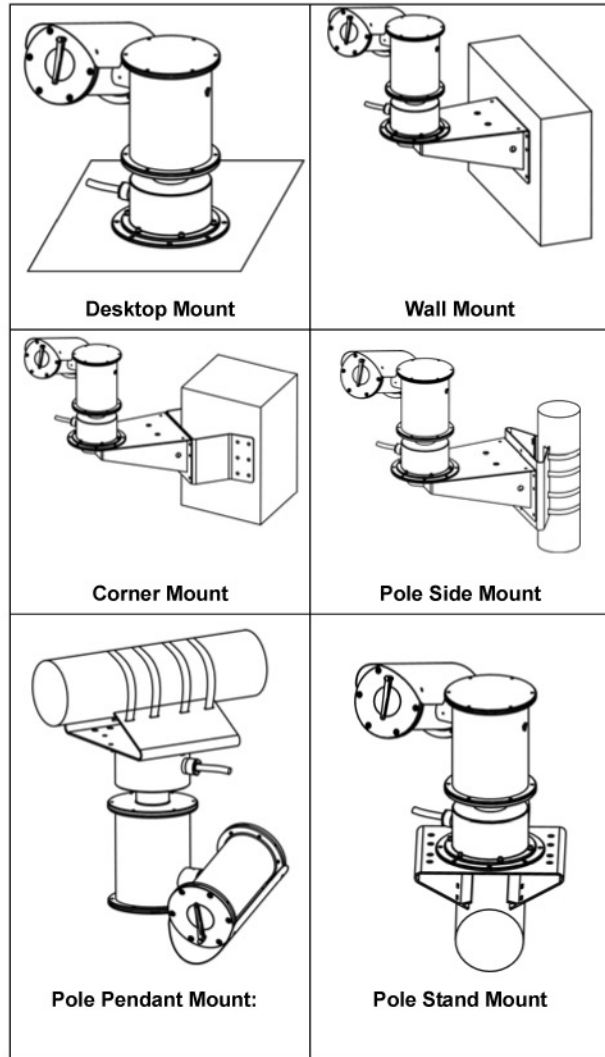


Side View



Base

Mounting



Desktop Mount

Wall Mount

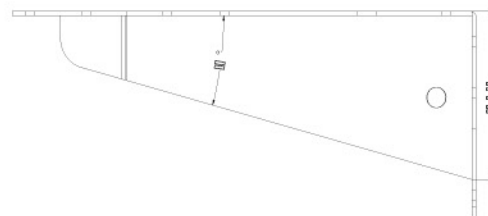
Corner Mount

Pole Side Mount

Pole Pendant Mount:

Pole Stand Mount

Mount Dimension (unit:mm):



Side View



Infinova[®]

V1631 Series
Explosion Proof Pan/Tilt

Optical Zoom	23X	35X
Signal Format	PAL/NTSC (color/B-W)	PAL/NTSC (color/B-W)
Scanning system	2:1 interlace	
Image Sensor	1/4" Progressive scanning CCD	
Effective pixels	PAL/450K: 758(H)×592(V) NTSC/380K: 758(H)×504(V)	PAL/440K: 752(H)×582(V) NTSC/380K: 768 (H)×494(V)
lens	F1.6~F3.7, f=3.6~82.8mm	F1.4~F4.2, f=3.4~119mm
Horizontal/Angle of View	54° (Wide)/ 2.5° (Tele)	55.8°(Wide)/ 1.7°(Tele)
Focus range	0.01m (Wide)~ 1.0m (Tele)	
Maximum Sensitivity	Color (with IR-Infrared lens) 1Lux (1/50s, 1/60s) 0.1Lux (1/2s, 1/1.5s) B/W(without IR-Infrared lens): 0.02Lux (1/4s, 1/3s)	Color (with IR-Infrared lens): 0.5Lux (NTSC: 1/60s, PAL: 1/50s) 0.05Lux (NTSC: 1/4s, PAL: 1/3s) 0.025Lux (NTSC: 1/2s, PAL:1/1.5s) B/W (without IR-Infrared lens): 0.01Lux (NTSC: 1/4s,PAL: 1/3s) 0.025Lux (NTSC: 1/4s,PAL: 1/3s)
Horizontal Resolution	480TVL	540TVL
Video Signal to Noise	>50dB	
Video output	1.0 ±0.2Vp-p	
Backlighting compensate	OFF/ON	
Sync system	Internal	Internal/External
WDR	/	MD1/MD2/OFF
Digital Zoom	1~12X Adjustable	
DSS	Yes	
Focus	Auto/ Manual/ M/A (Near-Far)	
White Balance	Auto / Manual	
Shutter Speed	Auto: Default Set Manual:PAL:1/1.5~1/30000s NTSC:1/2~1/30000s	Auto: Default Set Manual:PAL:1/1.5~1/30000s NTSC:1/2~1/30000s
Iris	Auto/Manual/ M/A	